

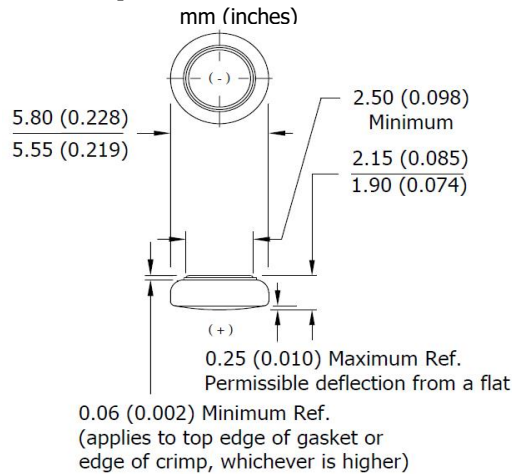
**ENERGIZER 379**

**ZEROMERCURY**

**SILVER OXIDE**



**Industry Standard Dimensions**

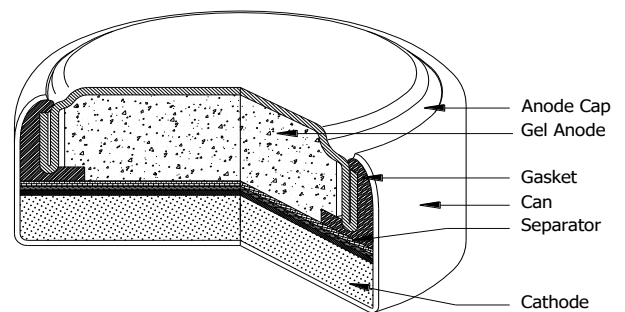


**Specifications**

<b>Chemical System:</b>	Silver Oxide (Zn/Ag <sub>2</sub> O)
<b>Designation:</b>	ANSI/NEDA-1191SO
<b>Nominal Voltage:</b>	1.55 Volts
<b>Typical Capacity:</b>	14.5 mAh* (to 1.2 volts)
<b>Capacity Test:</b>	68K ohm continuous drain at 21°C
<b>Typical Weight:</b>	0.21 grams (0.009 oz.)
<b>Typical Volume:</b>	0.06 cubic centimeters (0.003 cubic inch)
<b>Impedance (40 Hz):</b>	35 to 65 ohms

\* Varies according to the applied load, temperature, and cutoff voltage.

**Cross Section**

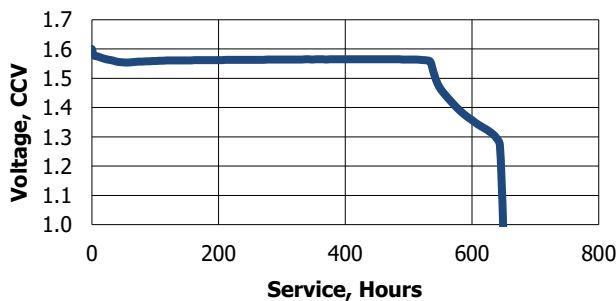


DESIGNED FOR USE ON CONTINUOUS LOW DRAIN

**Typical Discharge Characteristics**

Typical Performance at 21°C (70°F)

**Schedule:** Continuous  
**Typical Drain @1.53V:**  
 0.022 milliamperes  
**Load:** 68K ohm

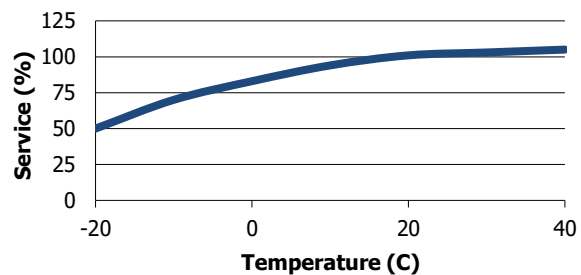


<u>Schedule</u>	<u>Typical Drains</u> at 1.53V (milliamperes)	<u>Load</u> (ohm)	<u>Cutoff</u> (hours)
Continuous	0.022	68K	644

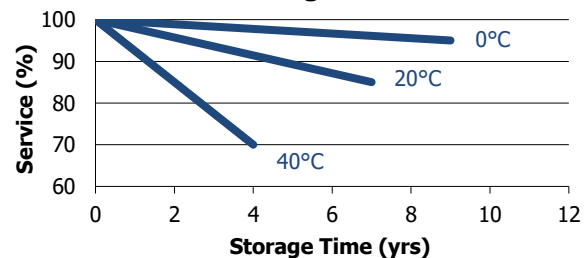
**Temperature Characteristics**

Typical Performance at Low Discharge Rates

**Service Effects**



**Storage Effects**



**Important Notice**

This datasheet contains typical information specific to products manufactured at the time of its publication.  
**Contents herein do not constitute a warranty and are for reference only.**